

- ① = Option: Transparent front top panel with 2 cross slides
- ② = Option: front sash with 3 cross slides
- ③ = Option: sockets on the inside, operated from outside
- ④ = 3 rows of scaffold points
- ⑤ = Service fitting points
- ⑥ = Aluminium channel with electrical service outlets and remote control fittings
- ⑦ = Clear opening front width of fume cupboard

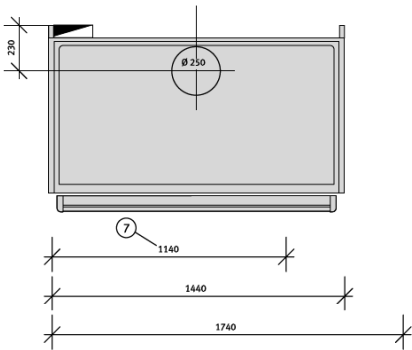
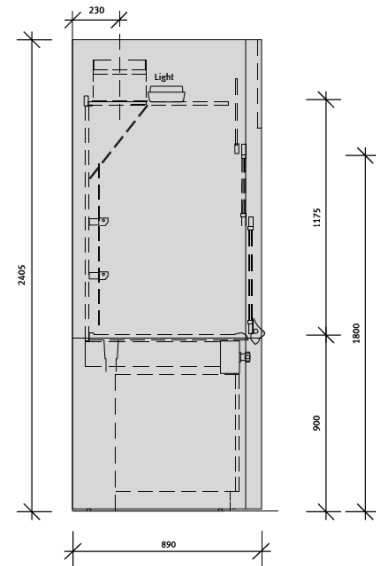
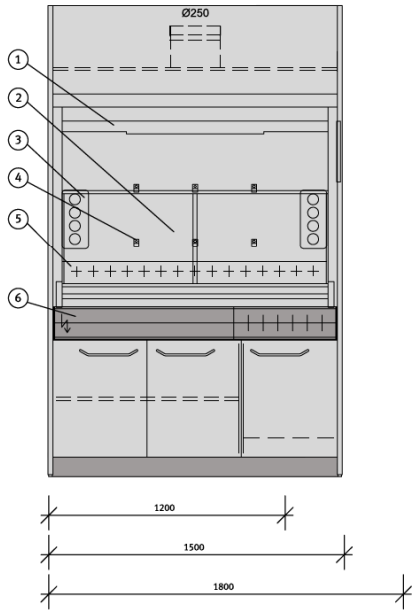
Also available as protect-type with active supportive flow technology



DELTAguard

Bench mounted fume cupboard

- Euro generation of fume cupboard tested and certified according to DIN EN 14175
- Optimised containment retaining capability while reducing extract airflow rates
- Worktops and interior lining as required
- Maximum use of interior due to more narrow sides of fume cupboard
- Synchronously running telescopic sash window for ease of operation
- Worktop with fixed, flow-optimised front ridge
- Exhaust air system for an all-over extraction above the workspace
- Ergonomically designed sash handle for an easy operation with twist release mechanism
- Large maintenance panels and easy to replace equipment
- Operational controls ideally and clearly arranged
- Panels for electric equipment on both sides of the interior
- High service placement possible – no interference of service and scaffold levels
- Standard battery backup for extract monitoring unit
- Function display integrated in the side wing
- Service fittings and electrical service outlets can be selected as required
- Scaffold points on the back panel
- Solvent storage or acid storage under fume cupboard units as an option
- Extensive range of accessories and options, e.g. automatic electric sash closure



- ① = Option: Transparent front top panel with 2 cross slides
- ② = Option: front sash with 3 cross slides
- ③ = Option: sockets on the inside, operated from outside
- ④ = 2 rows of scaffold points
- ⑤ = Service fitting points
- ⑥ = Aluminium channel with electrical service outlets and remote control fittings
- ⑦ = Clear opening front width of fume cupboard

Also available as protect-type with active supportive flow technology



DELTAguard

Low ceiling bench mounted fume cupboard

- Euro generation of fume cupboard tested and certified according to DIN EN 14175
- Optimised containment retaining capability while reducing extract airflow rates
- Worktops and interior lining to suit users requirements
- Maximum use of interior space due to more narrow sides of fume cupboard
- Optimised use of space due to an overall height of only 2405 mm
- Synchronously running telescopic sash window for ease of operation
- Worktop with fixed, flow-optimised front ridge
- Exhaust air system for an all-over extraction above the workspace
- Ergonomically designed sash handle for an easy operation with twist release mechanism
- Large maintenance panels and easy to replace equipment
- Operational controls ideally and clearly arranged
- Panels for electric equipment on both sides of the interior
- High service placement possible – no interference of service and scaffold levels
- Standard battery backed extract monitoring unit
- Function display integrated in the side wing
- Service fittings and electrical service outlets can be selected as required
- Scaffold points on the back panel
- Solvent storage or acid storage under fume cupboard unit as an option
- Extensive range of accessories and options, e.g. automatic electric sash closure